

# LNRV-10

Direct-acting Relief Valve

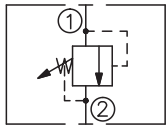
## DESCRIPTION

A cartridge-style, direct-acting poppet-type relief valve

## OPERATION

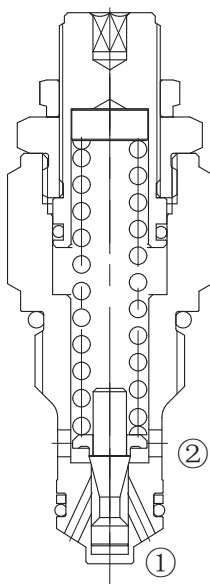
The valve prevents flow from ① to ② until the set Cracking Pressure at ① is achieved. The poppet then unseats allowing flow from ① to ② protecting the circuit from over pressurization.

## SYMBOL

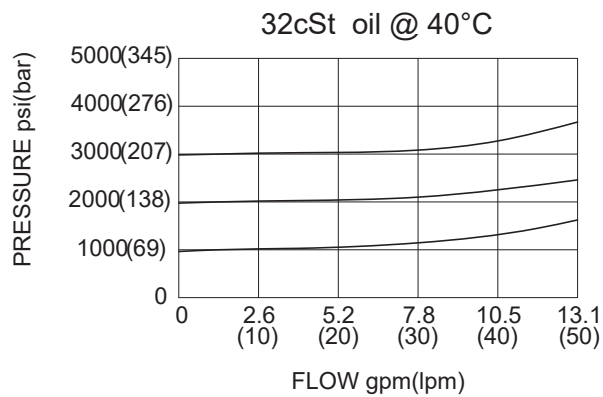


## SPECIFICATIONS

Max.Operating Pressure	350bar
Flow	See PRESSURE DROP VS.FLOW graph.
Internal Leakage	5 drops/min max. to 80% of nominal setting
Reseat Pressure	80% of cracking pressure(cracking pressure at 0.95lpm/0.25gpm)
Standard Spring Ranges	25 to 120 bar; preset: 69bar 40 to 200 bar; preset: 138bar 200 to 350 bar; preset: 207bar
Temperature	-40°F to +250°F(-40°C to +120°C)
Filtration	See Page N-1
Fluids	Mineral-based fluids with viscosities of 7.4 to 420 cSt.
Cavity	10-2,See page M-2
Housing Material	Steel & Ductile iron rated to 350barr



## PRESSURE DROP VS.FLOW



## TO ORDER

**LNRV -10 - \* \* - \* / \*\*\*\* - \* \***

1   
 2   
 3   
 4   
 5   
 6

**1 Function**  
LNRV=Direct-acting Relief Valve

**2 Size**  
10=10 Size

**3 Spring Ranges**  
 18=360-1740psi(25-120bar)  
     Preset:1000psi(69bar)  
 29=580-2900psi(40-200bar)  
     Preset:2000psi(138bar)  
 50=2900-5000psi(200-350bar)  
     Preset:3000psi(207bar)  
 Factory pressure setting established at 5L/min;

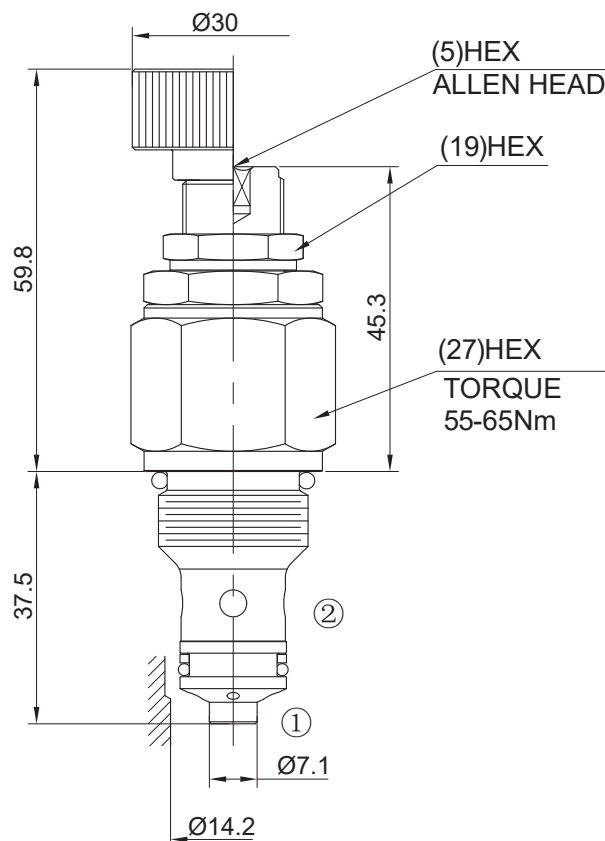
**4 Adjustment**  
 K=30mm Dia Knob  
 Omit= 5mm Hex Allen Head

**5 Optional Pressure Setting**  
 Omit=Standard Setting  
 Example:0200=200bar

**6 Port Size**  
 Omit=None  
 6T=SAE6  
 8T=SAE8  
 3G=G 3/8  
 4G=G 1/2

※ See page K-4 for detail of housing  
 ※ Other port sizes are available

## INSTALLATION DIMENSIONS



Unit=Millimeters

During installation pilot drill Ø14.2mm is required with min.depth of 38mm

E